

## GENERAL INFORMATION

**Project Name:** \_\_\_\_\_  
**Item:** \_\_\_\_\_  
**Quantity:** \_\_\_\_\_  
**Model:** DECO-257-N  
**Length:** \_\_\_\_\_

## STANDARD NSF LISTED FINISH OPTIONS

- Stainless Steel #4
- Chrome
- Gloss Black
- Wrinkle Black
- Smoked Copper
- Polished Brass Finish
- Other \_\_\_\_\_

## TUBE OPTIONS

- 1-1/2" Round (standard)

## GLASS THICKNESS

- 1/4" Tempered Glass (not for shelves) Centerline Max 54"
- 3/8" Tempered Glass (standard) (for shelf or span more than 54") Centerline Max 66"
- 1/2" Tempered Glass (for shelf or span more than 66") Centerline Max 72"

## GLASS PANEL OPTIONS

- Full Perimeter Channel

## TOP SHELF OPTIONS

- 1/2" Tempered Glass
- 3/8" Tempered Glass
- #8 Mirror Polished Brass
- Stainless:  #4 Brushed  #8 Mirror Polished
- Powder Coated  Color \_\_\_\_\_
- Solid Surface  Material \_\_\_\_\_

## INSTALLATION OPTIONS

- Above-Counter:** Round Tube
  - Narrow Flange
  - Round Flange
- Under-Counter:** Round Tube

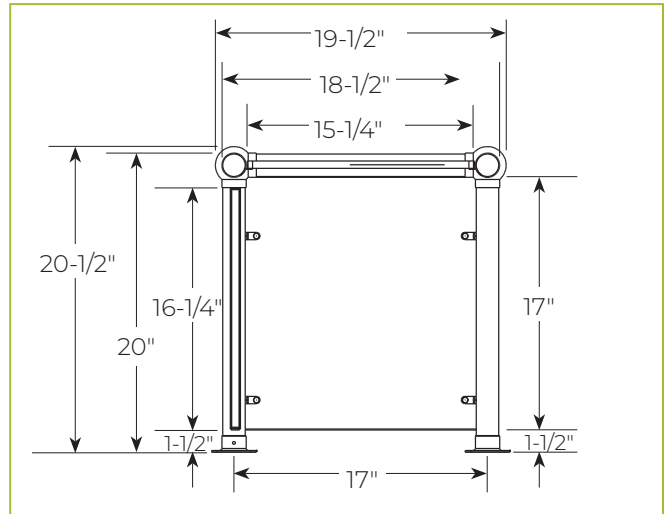
See installation pages for more information.

Approval drawings required.

Specifications subject to change without notice.

## DECO-257-N

### Operator-Serve Food Shield



To meet NSF guidelines, end panels are included on all BSI quotations unless specifically excluded.

*Ships Fully Assembled.*

## LIGHT AND WARMER OPTIONS

- 2580 Slimline LED Light
- 790 Stealth Warmer Unit
- 705 Stealth Light/Warmer Combo Unit
- 500 Stealth Heat/Light/Heat Combo Unit

Structural enhancements or mounting might be required to support heat light options.